

PLEASE CHECK WWW.MOLEX.COM FOR LATEST PART INFORMATION

Part Number: [49102-1210](#)
Status: **Active**
Description: 2.50mm Pitch Male Housing, for 1.02mm Diameter Terminal, Used in Car Mirror Applications

Documents:

[3D Model](#) [Product Specification PS-104000-001 \(PDF\)](#)
[Drawing \(PDF\)](#) [RoHS Certificate of Compliance \(PDF\)](#)

General

Product Family	Crimp Housings
Series	49102
Application	Power, Wire-to-Board
Product Name	N/A
UPC	822348302758

Physical

Circuits (maximum)	12
Color - Resin	Natural, Yellow
Gender	Male
Glow-Wire Compliant	No
Lock to Mating Part	Yes
Material - Resin	Polyester
Net Weight	6.200/g
Number of Rows	2
Packaging Type	Bag
Panel Mount	Yes
Pitch - Mating Interface	2.50mm
Polarized to Mating Part	Yes
Stackable	No
Temperature Range - Operating	-40°C to +120°C

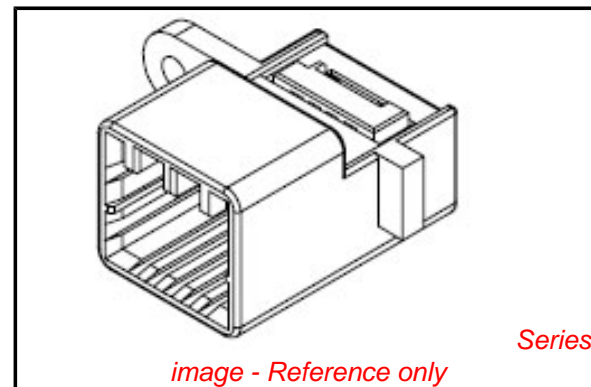
Electrical

Current - Maximum per Contact	5A
-------------------------------	----

Material Info

Reference - Drawing Numbers

Product Specification	PS-104000-001
Sales Drawing	SD-49102-001



EU RoHS

ELV and RoHS Compliant
REACH SVHC
Contains SVHC: No
Low-Halogen Status
Low-Halogen

China RoHS



Need more information on product environmental compliance?

Email productcompliance@molex.com
 For a multiple part number RoHS Certificate of Compliance, [click here](#)

Please visit the [Contact Us](#) section for any non-product compliance questions.

Search Parts in this Series

[49102Series](#)

Mates With

[64002-1215](#)

Use With

[50660-9001](#)